



## ENGINE

<b>Model</b>	904J-E36TA
<b>Type</b>	Water cooled diesel engine with 4 cycles, 4 cylinders, turbocharger and intercooler.
<b>Emission class</b>	Stage V
<b>Cylinders</b>	4
<b>Bore &amp; Stroke</b>	98 mm X 120 mm
<b>Displacement</b>	3.621 cc
<b>Max. Power</b>	74.5 kW / 100 HP (@2300 rpm)
<b>Max. Torque</b>	430 Nm (@1500 rpm)

▪ Compatible with the Emission Regulations EU Stage V and U.S EPA Tier IV-Final

## TRANSMISSION

- Heavy-Duty Powershift Transmission
- 4 Forward and 3 Reverse Speed
- 29 km/h max. Speed
- Fully Hydraulic Steering
- 2 WS / 4WS / Crab

## AXLES

- Heavy-Duty Service Type CARRARO Axles
- 4 WD
- LSD (Limited Slip Differential) on Front & Rear Axles

## HYDRAULIC SYSTEM

<b>Main Control Valve</b>	Danfoss (Electro-Hydraulic Control)
<b>Pump</b>	Rexroth Variable Displacement Piston Pump
<b>Pressure</b>	250 bar
<b>Max. Flow</b>	140 l/min
<b>Joystick Control</b>	4 in 1 (FNR, Up & Down Shift)

## WEIGHT

- Standard machine operating weight** 12.800 kg
- With full fuel tank, hydraulic system and all service fluids and 75 kg operator weight are included

## CYCLE TIMES

<b>Lifting</b>	15.00 s
<b>Lowering</b>	13.00 s
<b>Extension</b>	21.30 s
<b>Retraction</b>	15.70 s
<b>Crowd</b>	3.80 s
<b>Dump</b>	4.60 s

## CAPACITIES

<b>Hydraulic Tank</b>	160 l
<b>Fuel Tank</b>	130 l

## PERFORMANCE

<b>Max. Lifting Capacity</b>	4.200 kg
<b>Max. Lifting Capacity at Full Height</b>	2.500 kg
<b>Capacity at Max. Reach</b>	850 kg
<b>Max. Lifting Height</b>	17.580 mm
<b>Max. Horizontal Boom Extension</b>	13.150 mm
<b>Bucket Breakout Force</b>	9.500 daN

## TIRES

<b>Front tires</b>	440/80-24 (14 layers)
<b>Rear tires</b>	440/80-24 (14 layers)

## CABIN

<b>ROPS / FOPS</b>	
<b>Proportional AC Control Panel</b>	
<b>Sun Protection Roller at top</b>	
<b>MP3 Player</b>	
<b>USB Charging &amp; 12 V Output</b>	
<b>Digital Angle Display</b>	
<b>Load Control Panel</b>	
<b>Plug &amp; Play Harness for Anti-Theft Device</b>	

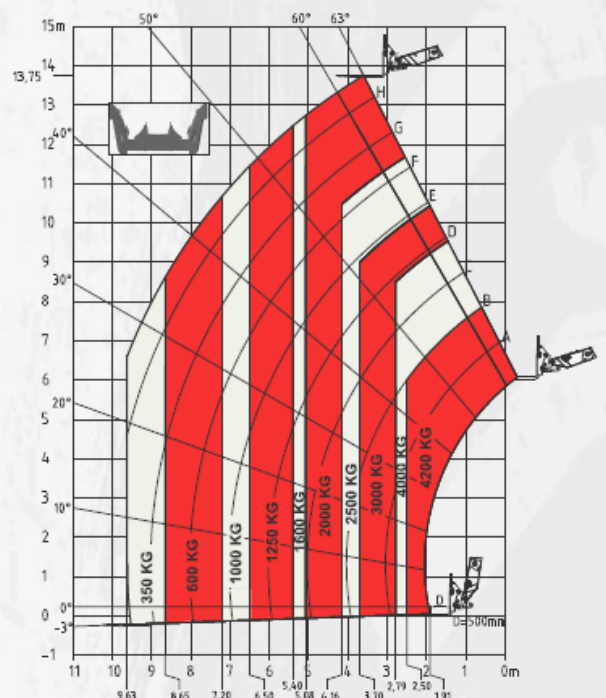
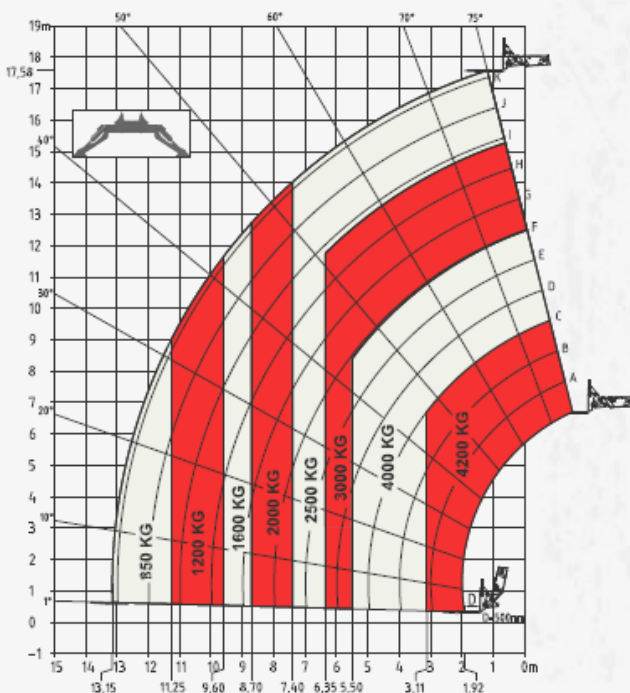
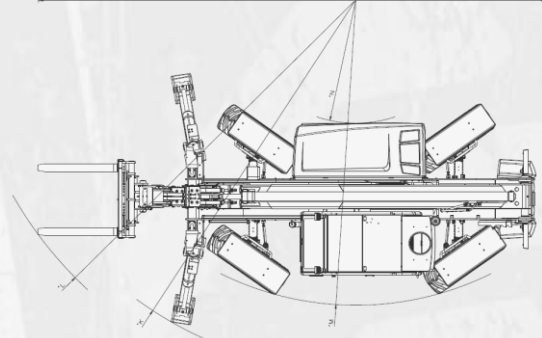
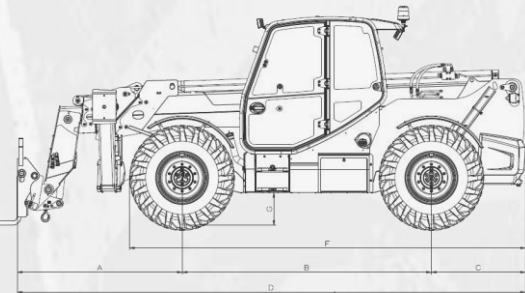
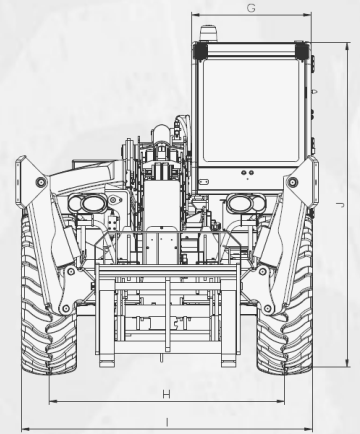
## NOISE SOUND LEVELS

<b>Noise in the Driving Position (LpA)</b>	80 db(A)
<b>Environmental Noise Level (LwA)</b>	102 db(A)



## DIMENSIONS

A Front Wheel Centre to Carriage	2.068 mm
B Wheelbase	3.120 mm
C Rear Wheel Centre to Rear Face	1.160 mm
D Overall Length to Carriage	6.348 mm
E Ground Clearance	410 mm
F Front Wheel Extere To Rear End	4.937 mm
G Overall Cab Width	971 mm
H Inside Tyre Width	1.900 mm
I Overall Width	2.350 mm
J Overall Height	2.590 mm
K Overall Width with Stabilizers on Ground	3.810 mm
L Turning Radius (Engine Hood)	1.810 mm
M Turning Radius (Over Tires)	4.305 mm
N Turning Radius (Forks)	6.070 mm
Standard Forks	120 X 50 X 1.200 mm
Carriage Rotation	126,5°
Chassis Levelling	±10°



**NOTICE:** MST has the right to modify the specifications and design of the model indicated on that catalogue without prior notice.

